



No.: B-07F0023

Date of issue: May 30, 2007

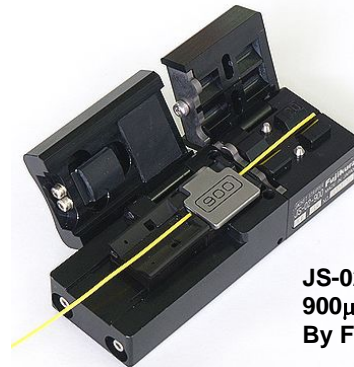
DATA SHEET

Jacket Stripper JS-02-900



JS-02-900

The JS-02-900 is designed for stripping single count of silica optical fiber. The JS-02-900 accepts the FH-40 series Fiber Holder System.

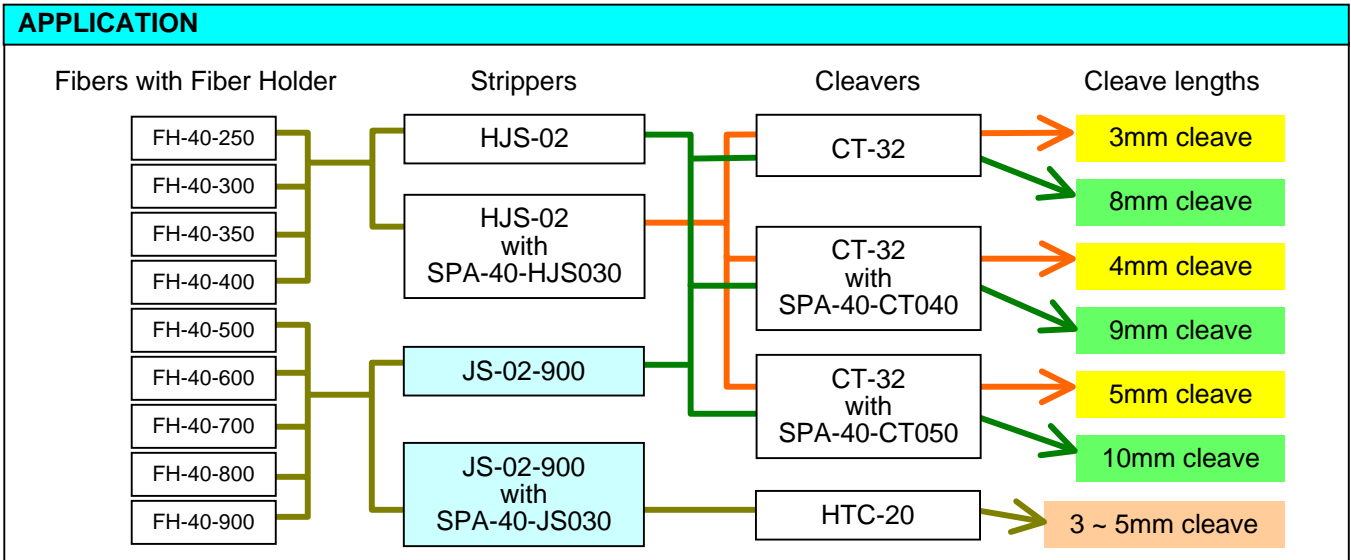


JS-02-900 with 900µm fiber By FH-40-900

STANDARD PACKAGE		
Description	Model	Q'ty
Main body	JS-02-900	1pc.
Hexagonal wrench	BL-02	1pc.
Carrying case	CC-10	1pc.
Instruction manual	-	1pc.

OPTIONAL ITEMS	
Description	Model
Stripper spacer	SPA-40-JS030

SPECIFICATION	
Applicable fiber	Silica optical fiber
Fiber count	Single
Cladding diameter	125µm
Coating diameter	400µm to 900µm
Coating material	Silicone + Nylon
Fiber setting	by FH-40 series Fiber holder
Heater	Not equipped
Dimensions, Weight	30W x 90L x 30H (mm), 250g



Specifications and descriptions are subject to change without prior notice.