

Thermal Jacket Stripper HJS-02/HJS-02-80

For specialty fiber splice application

HJS-02



The HJS-02 is suitable for use to strip specialty fibers and accepts the FH-40 series and FH-100 series Fiber Holder System.

There are two types of models, one is for 80 μ m cladding diameter, and the other is for 125 μ m cladding diameter.

The HJS-02 is equipped with a heater, which softens the coating of the fiber for smooth stripping.

SPECIFICATIONS

	HJS-02	HJS-02-80
Applicable fiber	Silica optical fiber	
Fiber count	Single	Single
	2 to 12 fibers	—
Cladding diameter	125 μ m	80 μ m
Coating diameter	250 to 400 μ m	up to 250 μ m
Stripping length	Max. 35 mm	
Heating time	Approx. 3 sec. at normal mode Approx. 8 sec. at power saving mode	
Power supply	12 V DC from Fujikura splicer with DC power cord 85 to 265 V AC with optional AC adapter.	
Fiber setting	by FH-40 series, FH-100 series, FH-60 series and FH-50 series(except for the single fiber holders) Fiber Holder	
Dimensions	107W x 40D x 29H mm	
Weight	195 g	

Specifications and descriptions are subject to change without prior notice.

Thermal Jacket Stripper HJS-02/HJS-02-80

STANDARD PACKAGE

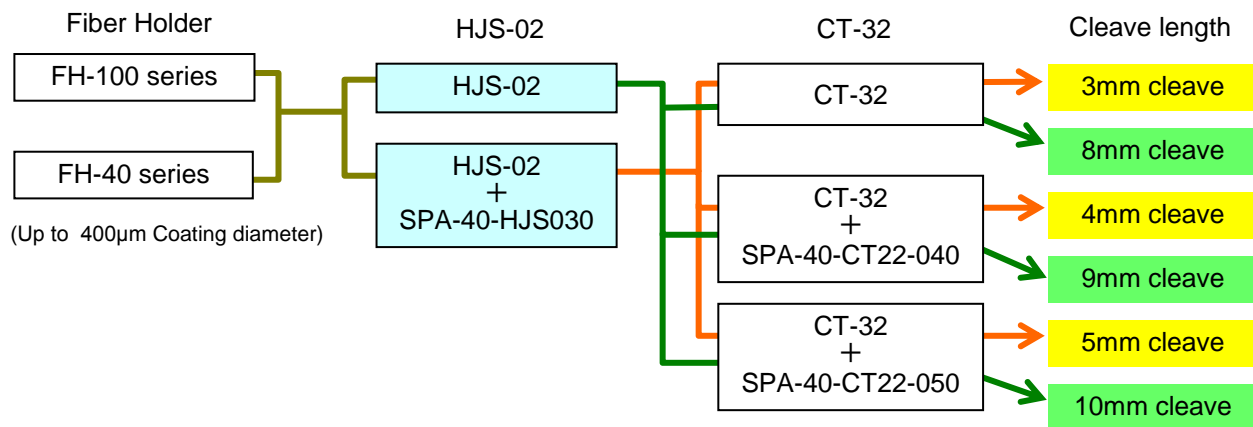
Description	Model	Q'ty
Stripper main body	HJS-02/HJS-02-80	select 1 pc.
DC power cord	DCC-11/DCC-03	select 1 pc.
Cleaning brush	BRS-01	1 pc.
Hexagonal wrench	-	1 pc.
Instruction manual	-	1 pc.

OPTIONAL ITEMS

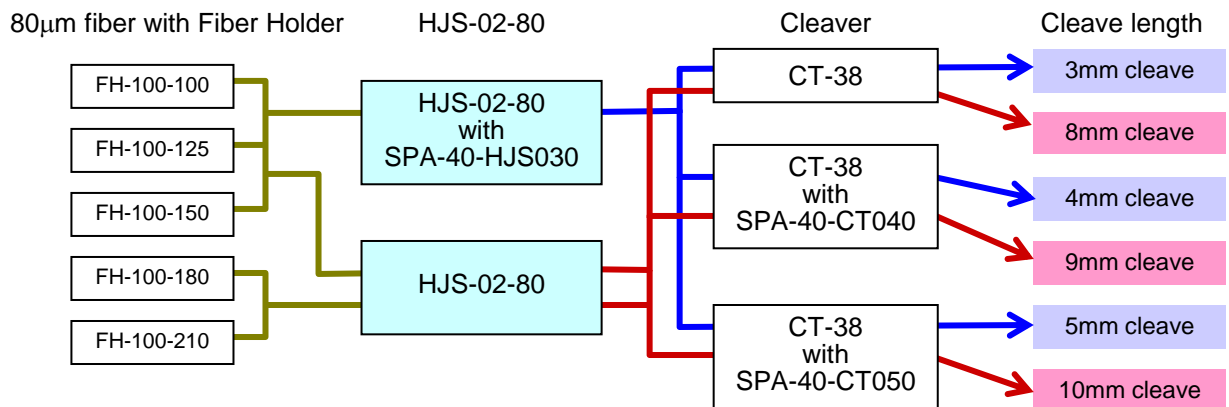
Description	Model
AC adaptor	ADC-09
AC power cord	ACC-08 ~ -12
HJS spacer	SPA-40-HJS030

APPLICATION

HJS-02



HJS-02-80



Specifications and descriptions are subject to change without prior notice.

überreicht durch:
Opternus

Opternus GmbH Optische Spleiss- & Messtechnik
 Bahnhofstr. 5
 D-22941 Bargteheide
 Tel. +49(0)4532-20 44-0
 Fax +49(0)4532-20 44-25

Büro Süd:
 Katharinenstr. 57
 D-73728 Esslingen
 Tel. +49(0)711-3 10 59 99-0
 Fax +49(0)711-3 10 59 99-99

E-Mail: info@opternus.de - www.opternus.de - www.opternus-shop.de