



No.: B-07F0020
Date of issue: May 30, 2007

DATA SHEET

Thermal Jacket Stripper HJS-02-80



HJS-02-80

The HJS-02-80 is designed for stripping silica optical fiber with an 80µm cladding diameter. The HJS-02-80 is equipped with a heater, which softens the coating of the fiber for smooth stripping.

The HJS-02-80 accepts the FH-40 series Fiber Holder System.

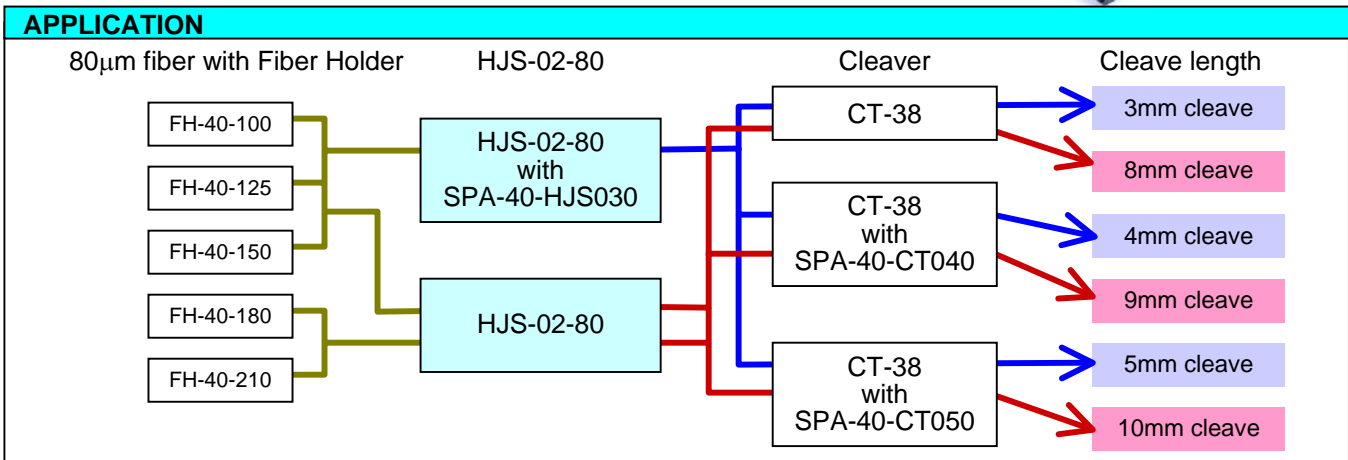
SPECIFICATIONS	
Applicable fiber	Silica optical fiber
Fiber count	Single
Cladding diameter	80µm
Coating diameter	up to 250µm
Stripping length	Max. 35 mm
Heating time	Approx. 3 sec. at normal mode Approx. 8 sec. at power saving mode
Power supply	12 V DC from Fujikura splicer with DC power cord 85 to 265 V AC with optional AC adaptor.
Fiber setting	by FH-40 series Fiber Holder
Dimensions	107W x 40D x 29H mm
Weight	195 g

STANDARD PACKAGE		
Description	Model	Q'ty
Stripper main body	HJS-02-80	1 pc.
DC power cord for FSM-50R/17R	DCC-11	1 pc.
Cleaning brush	BRS-01	1 pc.
Hexagonal wrench	-	1 pc.
Instruction manual	-	1 pc.

OPTIONAL ITEMS	
Description	Model
AC adaptor	ADC-09
AC power cord	ACC-08 ~ -12
HJS spacer	SPA-40-HJS030



HJS-02-80



Specifications and descriptions are subject to change without prior notice.